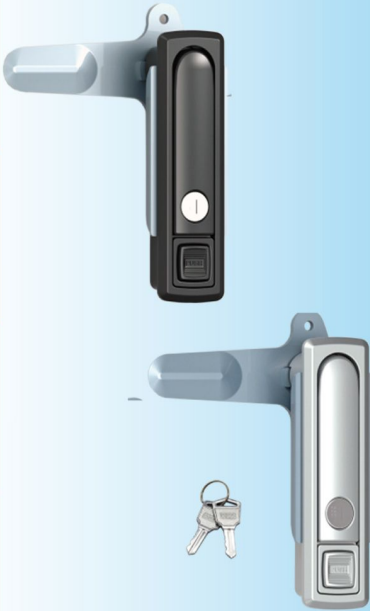


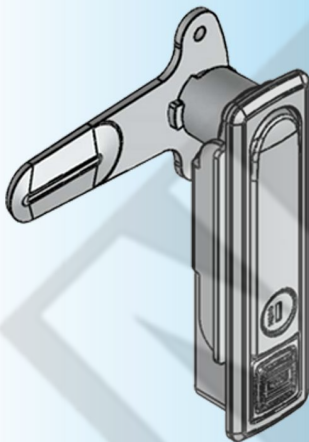
For Product Step File or 3D Model Send a Request Mail To info@nrack.com



Photo View

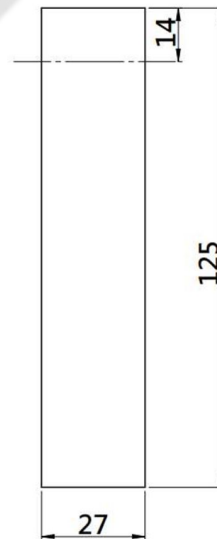
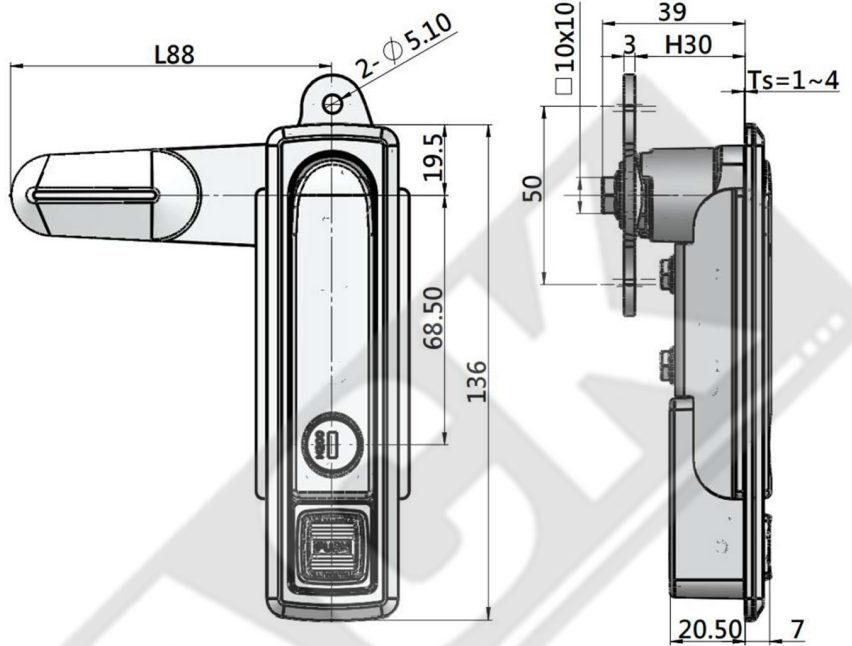


3D Rendered View



**MS 6022Z-2-1**

- Material: zinc alloy for the housing, lock back, steel cam assembling plate.
- Finish: gray chrome plating, matt back
- Function: the cam turns 90° to unlock when open the handle up
- Panel thickness: 1~4mm
- Remark:  $\varnothing 10 \times 10$  cut out.



**CUT OUT**

Product no.	Weight(g)	Lot
MS 6022Z- 2- 1	525	50